

Timetric



Indoor Side Mounted Vacuum Circuit Breaker

You can rest assured to buy Timetric Indoor Side Mounted Vacuum Circuit Breaker from our factory. Wide range of products, favored by customers all over the world. Among them, the European and American markets occupy a dominant position, which can reach more than 90%.

Product Description

Timetric Indoor Side Mounted Vacuum Circuit Breaker Introduction Working principle

1. You can rest assured to buy Timetric Indoor Side Mounted Vacuum Circuit Breaker from our factory. Indoor Side Mounted Vacuum Circuit Breaker closing working principle When the circuit breaker is in the state of opening energy storage, when the closing instruction is received, the mechanism will quickly close. The output arm of the mechanism pushes the action of the large shaft system of the circuit breaker through the transmission rod, drives the transmission insulator and the moving end of the arc extinguishing chamber to move in the closing direction, and pulls the spring of the contact after the contact of the dynamic and static contacts to generate overstroke. When the boom on the big shaft pushes the transmission insulator, the other end of the boom on both sides stretches the switching spring to complete the energy storage; The intermediate phase arm presses the circuit breaker closing indicator so that the indicator indicates the closing state. The circuit breaker is closed.

2. Indoor Side Mounted Vacuum Circuit Breaker opening action principle Circuit breaker is closed with energy storage or closed without energy storage state, when receiving the opening instruction, the mechanism is to release the closing state, quickly opening. Under the action of switching force, the breaker breaks open, and the arc extinguishing chamber cuts off the current to form an open circuit. The lever arm, transmission insulator, main shaft, brake spring, closing and opening signs are all restored to the opening position. Circuit breaker opening operation completed.

3. Working principle of Indoor Side Mounted Vacuum Circuit Breaker handcart This type of circuit breaker can be installed on the handcart frame is equipped with a screw nut driving mechanism. It can easily operate to make the handcart move between the disconnect/test position and the working position. With the self-locking of the lead screw nut, the handcart

can be reliably locked in the working position to prevent the accident caused by the action of electric power.

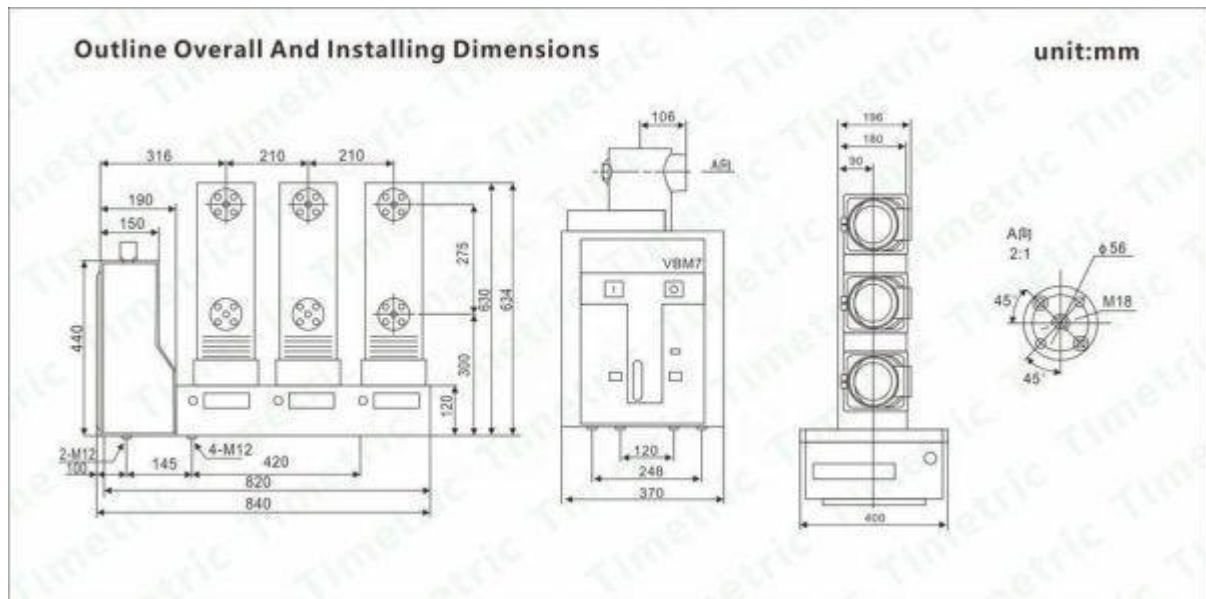
Timetric



Timetric Indoor Side Mounted Vacuum Circuit Breaker Parameter (Specification)

Colour	Silver gray、 Red
Shape	Combination
Size	customized
Rated Voltage	12/24KV
Rated Current	630A,1250A,2000A,3150A,4000A
Number Of Poles	3
Characteristic	Safe and Stable

Material	Iron, Red copper, Epoxy resin
Surface Treatment	Plastic spraying



Timetric Indoor Side Mounted Vacuum Circuit Breaker Advantages

1. Indoor Side Mounted Vacuum Circuit Breaker Simple structure
2. Indoor Side Mounted Vacuum Circuit Breaker Adapt ultra low resistance type vacuum interrupter
3. Indoor Side Mounted Vacuum Circuit Breaker Adapt optimization and modular spring operating mechanism
4. Indoor Side Mounted Vacuum Circuit Breaker Suitable for occasions with frequent operation
5. Indoor Side Mounted Vacuum Circuit Breaker Free maintenance and long service life

6.Indoor Side Mounted Vacuum Circuit Breaker High reliable performance

Timetric



Timetric Indoor Side Mounted Vacuum Circuit Breaker Details



Timetric

